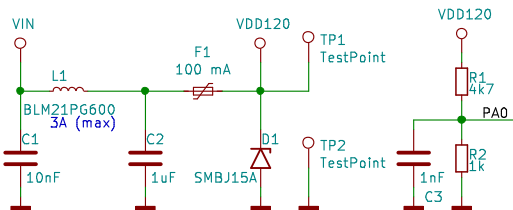
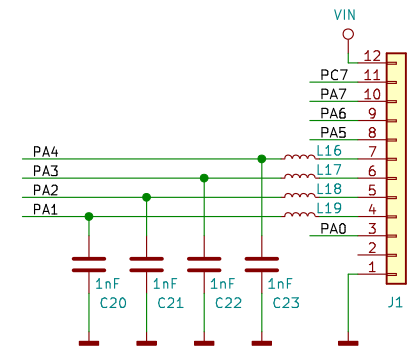
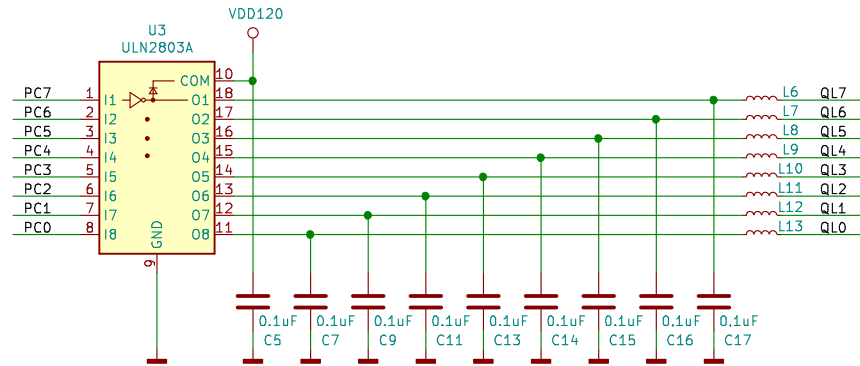
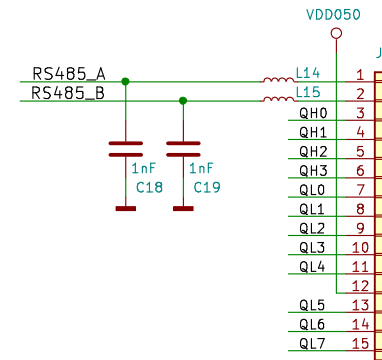
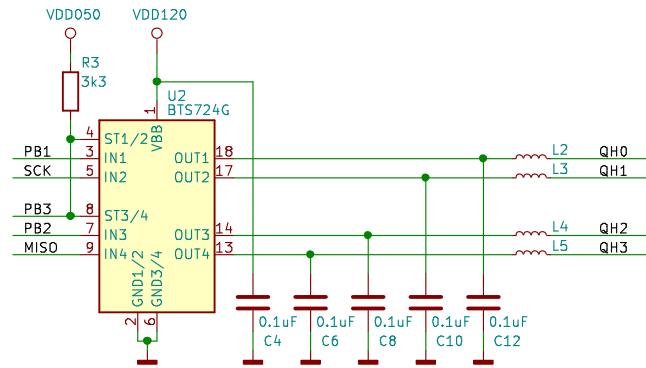
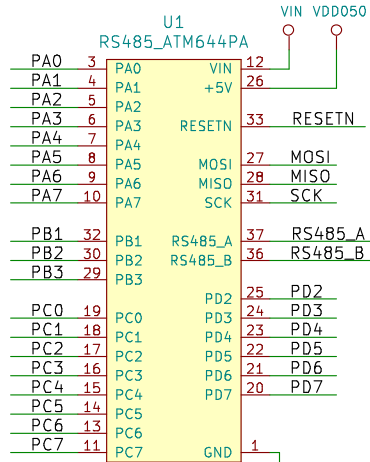


all inductors unless otherwise noted:  
BLM21PG600 (25 mOhm, 3A, 0805)



Michael Krömer

Sheet: /  
File: RS485\_Driver\_V10.sch

**Title: Power Driver Board for ATMEGA644PA-AU Board**

Size: A4 Date: 2021-02-28

KiCad E.D.A. kicad (5.1.6)-1

Rev: V2.0

Id: 1/1