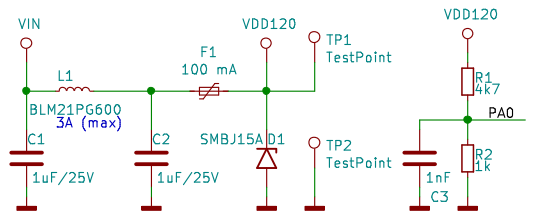
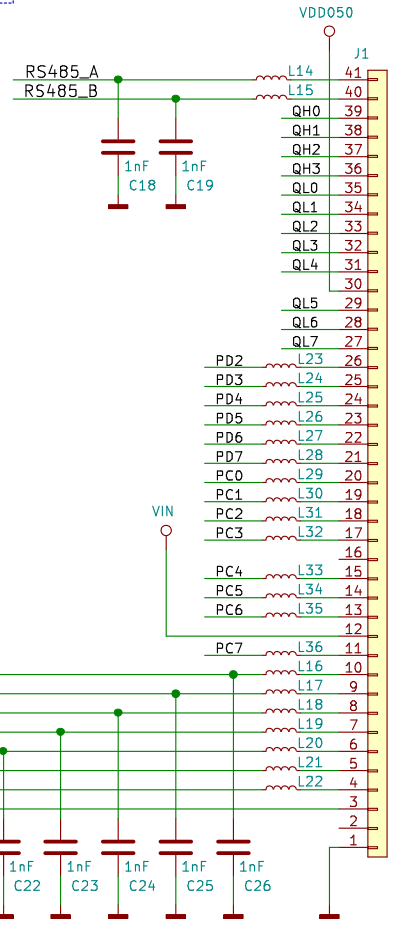
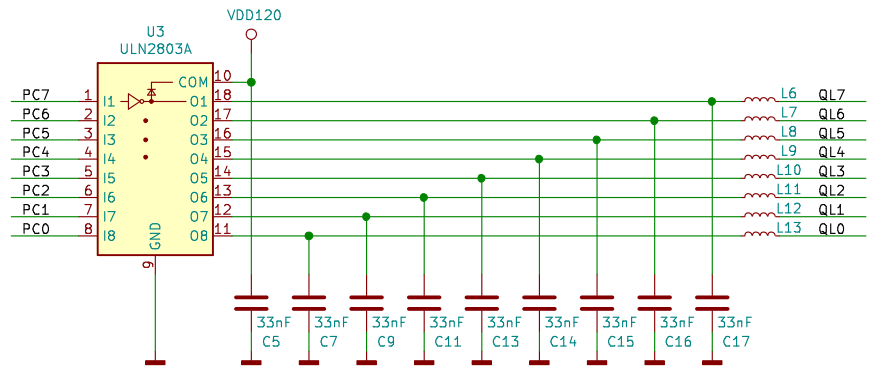


– all inductors unless otherwise noted: CBG100505U260T
26Q @ 100MHz, 300mA 150mΩ 0402
– all capacitors sustain 50V unless otherwise noted



For production and partial assembly at JLCPCB

Michael Krämer

Sheet: /
File: RS485_Driver_V11.sch

Title: Power Driver Board for ATMEGA644PA–AU Board

Size: A4	Date: 2021-04-12	Rev: V1.1
KiCad E.D.A. kicad (5.1.6)–1		Id: 1/1