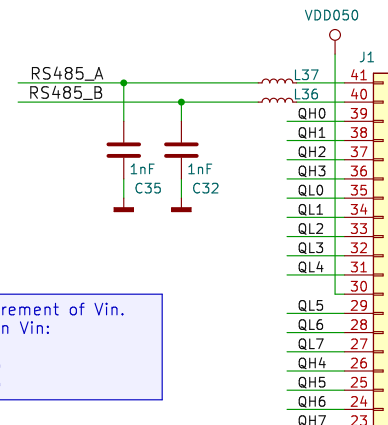
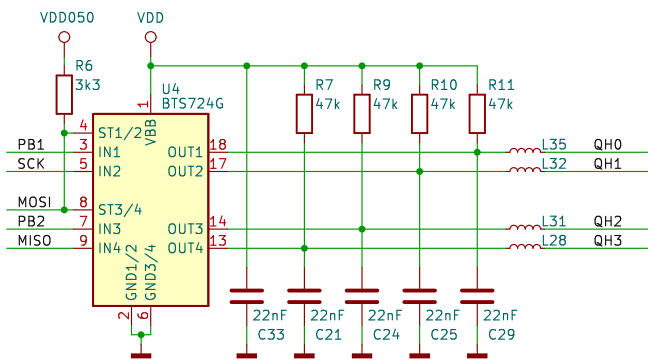


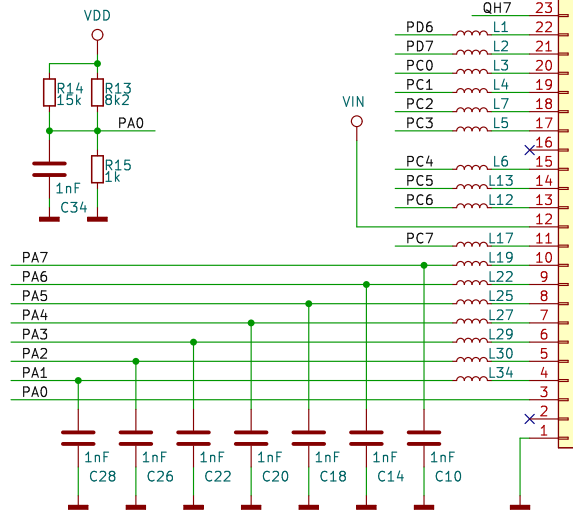
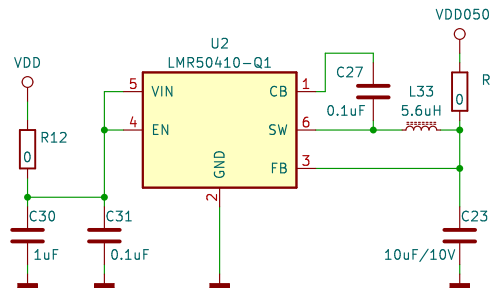
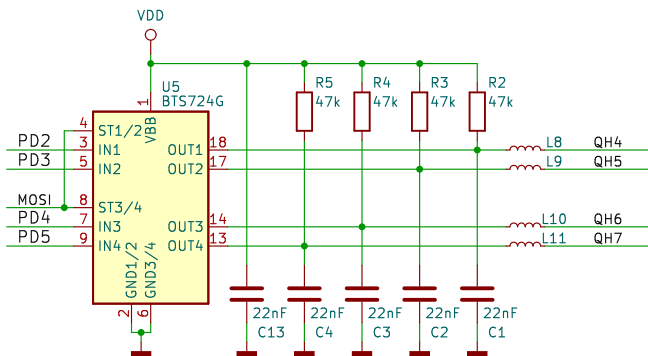
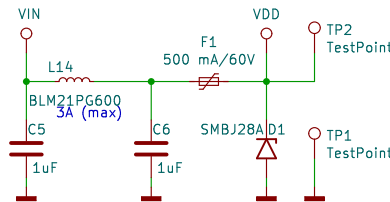
- all inductors unless otherwise noted: BLM15AG700SN1D
70Ω @ 100MHz, 600mA 150mΩ 0402
- all capacitors sustain 50V unless otherwise noted



Resistor network for measurement of Vin.
To be adapted depending on Vin:
5.5..16V: no change
5.5..23V: remove R14 (15k)
5.5..36V: remove R13 (8k2)



The voltage regulator U2 may be used for Vin between 5.5V and 36V. It must be used if Vin exceeds 15V. In other cases, it may be used to reduce the heatup through the linear regulator on the CPU board. If used, R1 must be removed. If unused, at least R8 should be removed and optionally R12 as well.



Eight high-side and eight low-side switches
For production and partial assembly at JLCPCB
Michael Krämer
Sheet: /
File: RS485_Driver_V12.kicad_sch
Title: Power Driver Board for ATMEGA644PA-AU Board
Size: A4 Date: 2023-10-19
KiCad E.D.A. kicad 7.0.8
Rev: V1.2
Id: 1/1